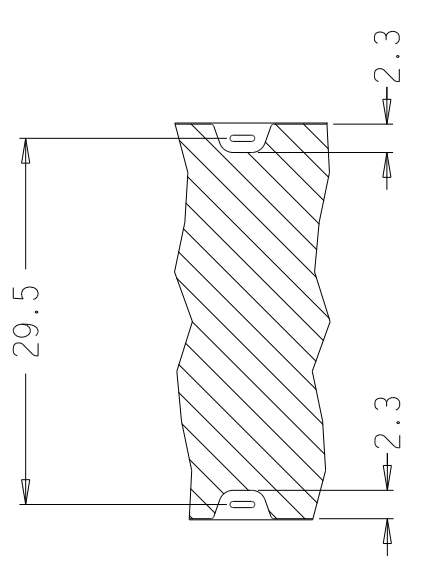
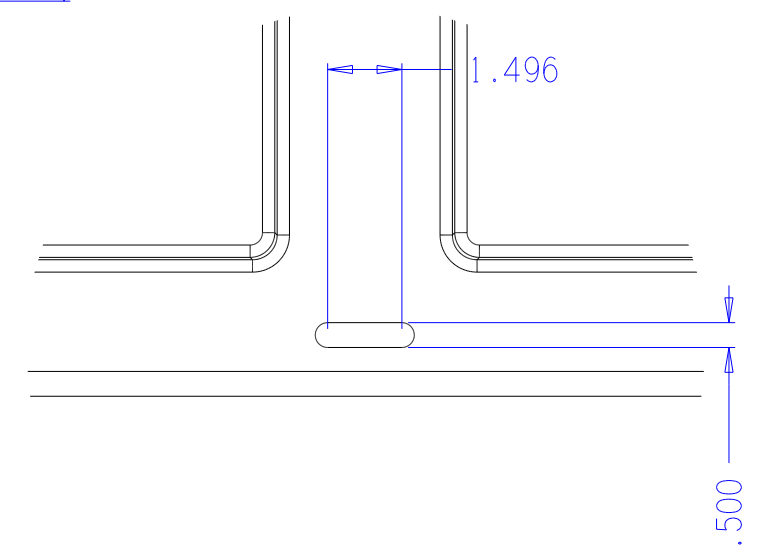
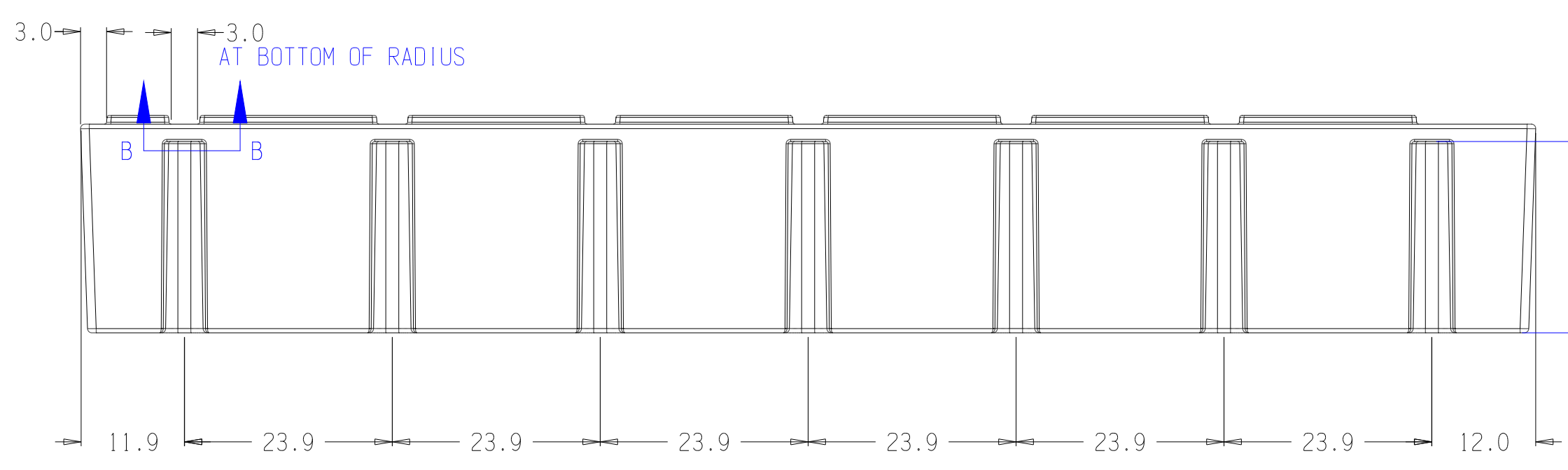
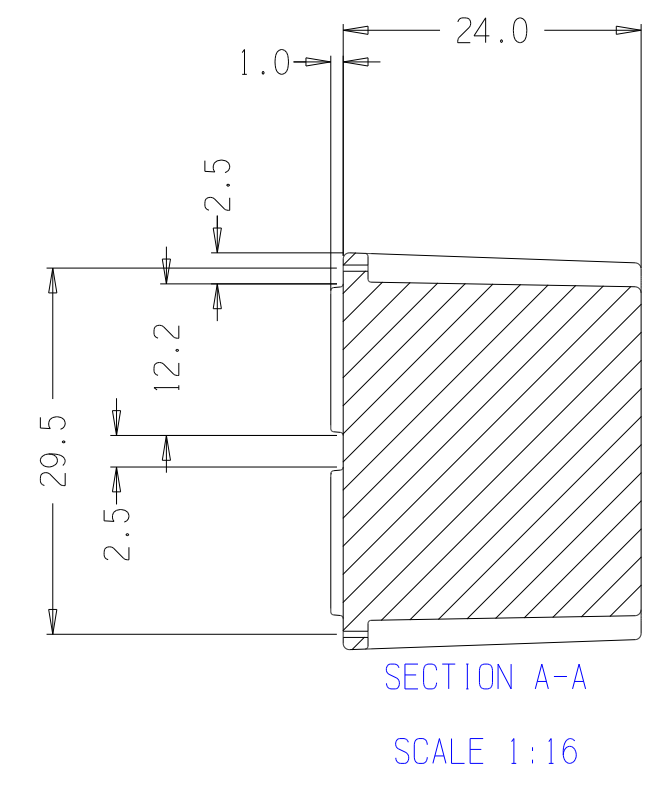
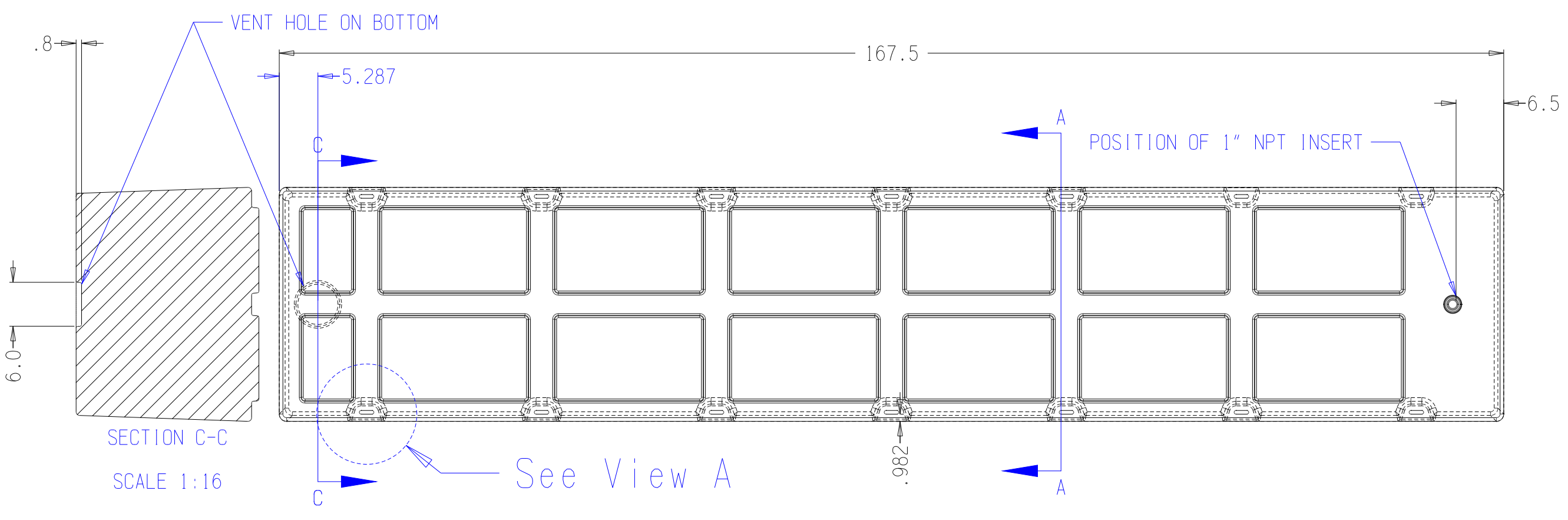


REV	DATE	DESCRIPTION	INT.

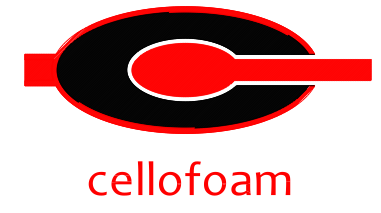


SCALE 1:16
SECTION B-B

View A
4:1

ROTOMOLDED TOLERANCING						
DIMENSIONS: INTERNAL (A) = SIZE + TAPER EXTERNAL (B) = SIZE - TAPER						
GENERAL DRAFT NOT SHOWN ON DRAWING NORMALLY 1 DEGREE UNLESS OTHERWISE SPECIFIED.						
MATERIAL	TOLERANCES AS BELOW FOR MOLDED PARTS TOLERANCE BY SIZE RANGE					
	UP TO 3"	3" - 7"	8" - 12"	13" - 20"	21" - 45"	OVER 45"
LLDPE	±0.125"	±0.1875"	±0.1875"	±0.25"	±.12	±.12

COPYRIGHT CELLOFOAM N.A.
 THIS DRAWING IS ISSUED ON THE STRICT UNDERSTANDING THAT IT WILL NOT BE REPRODUCED OR GIVEN TO A THIRD PARTY WITHOUT PRIOR WRITTEN PERMISSION FROM AN OFFICER OF CELLOFOAM N.A.



MATL	LLDPE	GRADE	BLACK VIRGIN UV RESIST	COLOR	BLACK
DATE	12/09/2011	TITLE	24" LIFT TANK		
DRAWN	MHA	DRG. NO.	RMP 011-0124	PAGE 1 OF 1	