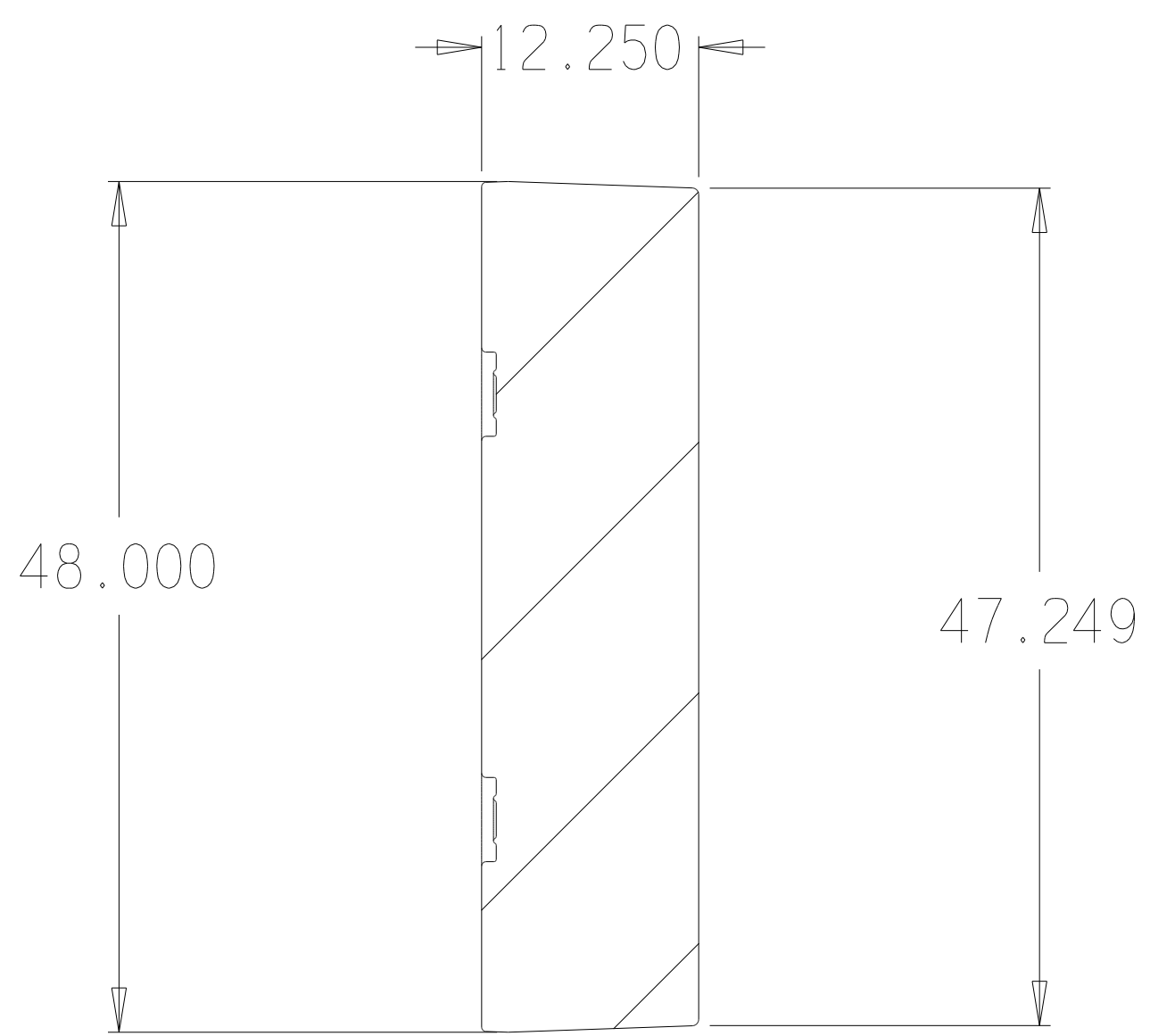
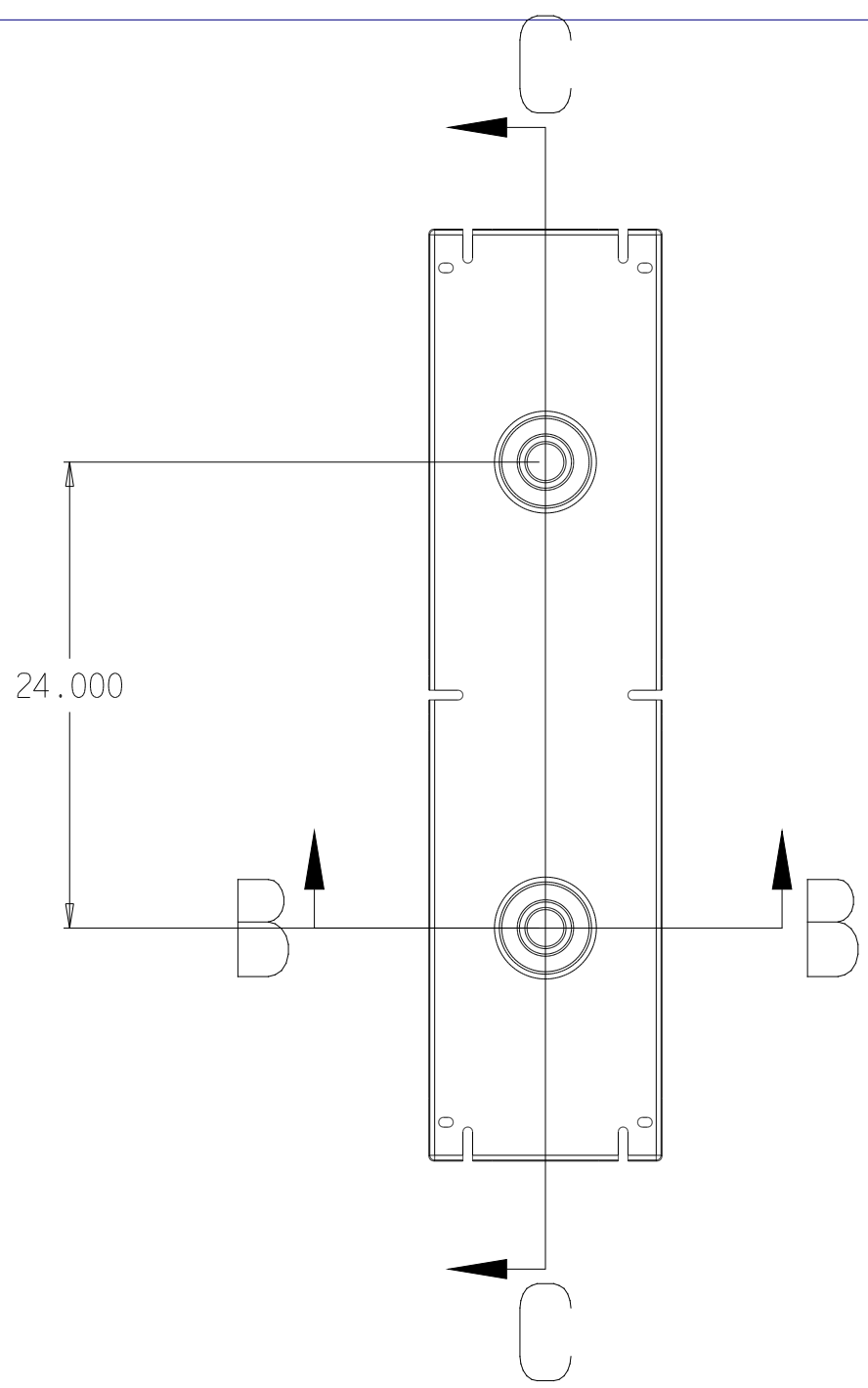
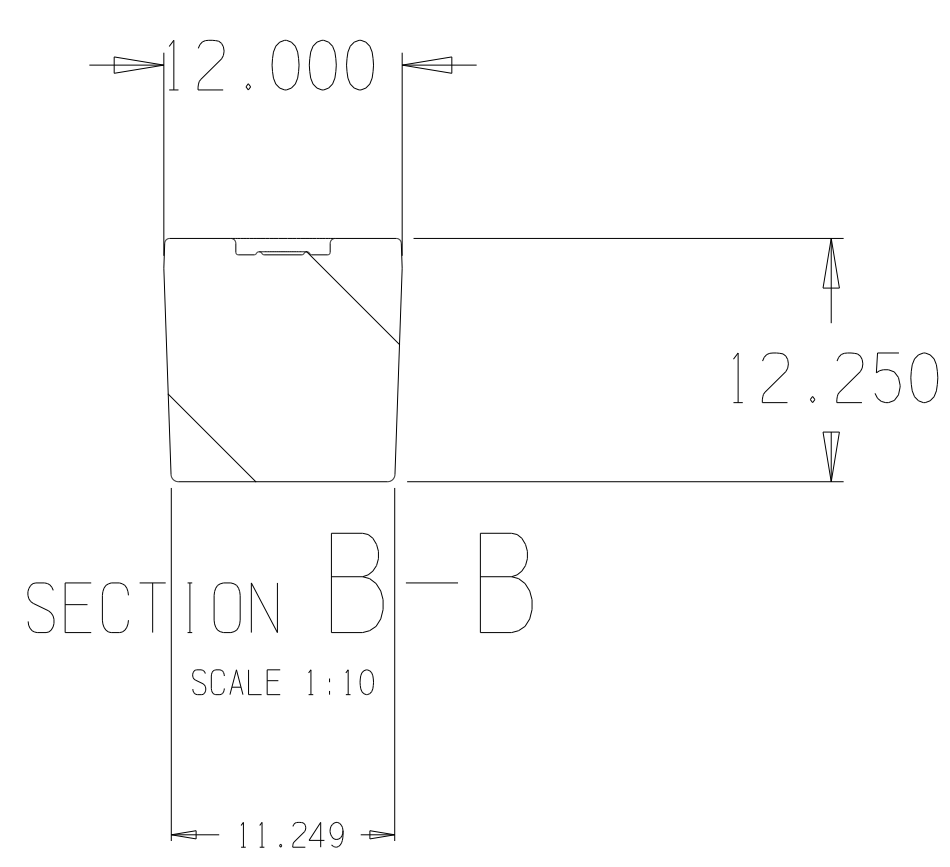


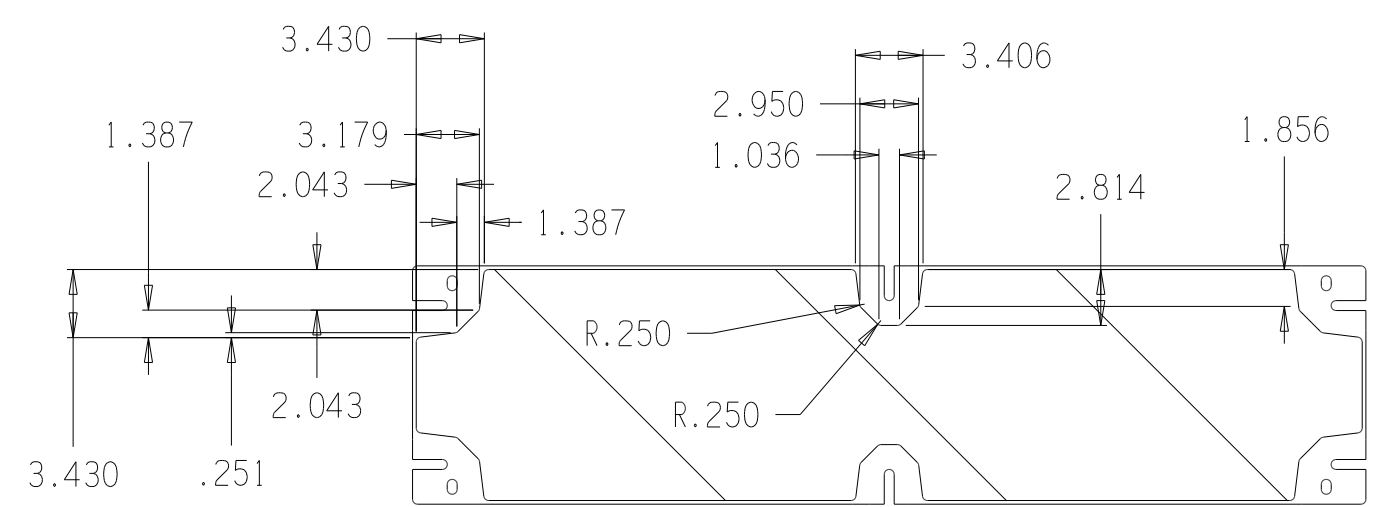
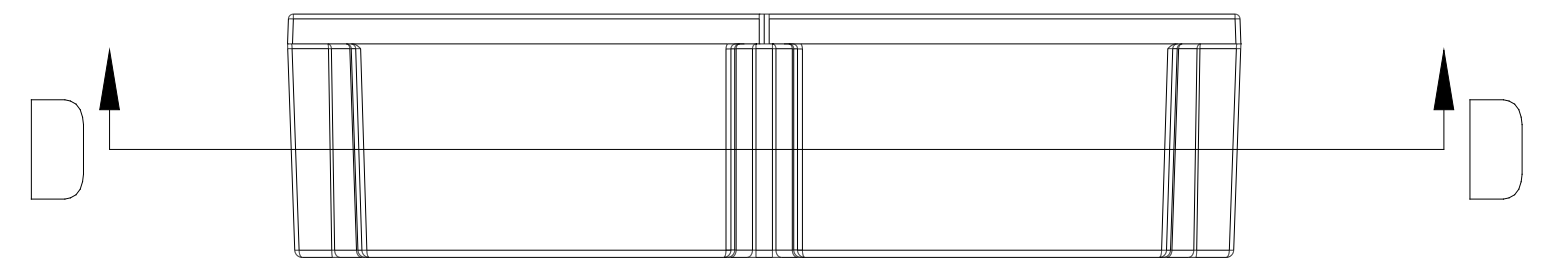
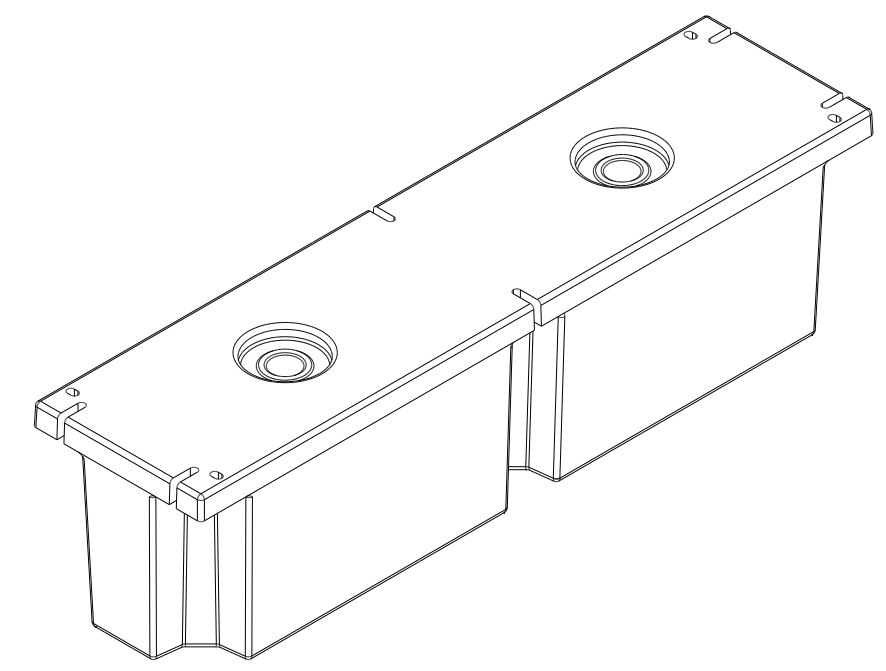
REV	DATE	DESCRIPTION	INT.



SECTION C-C
SCALE 1:10

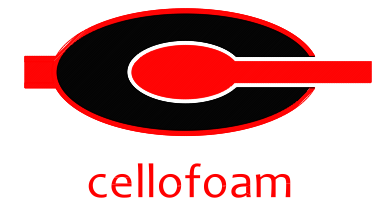


SECTION B-B
SCALE 1:10



SECTION D-D
SCALE 1:10

*COPYRIGHT CELLOFOAM N.A.
THIS DRAWING IS ISSUED ON THE STRICT UNDERSTANDING THAT IT WILL NOT BE REPRODUCED OR GIVEN TO A THIRD PARTY WITHOUT PRIOR WRITTEN PERMISSION FROM AN OFFICER OF CELLOFOAM N.A.*



MATL	LLDPE	GRADE	COLOR	BLACK
DATE	3/2/2011	TITLE	1X4X12 FLOAT	
DRAWN	MHA	DRG. NO.	F	PAGE 1 OF 1